



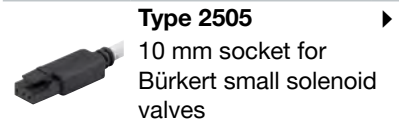
2/2 way and 3/2 way Bürkert TwinPower rocker solenoid valve with separating diaphragm

- For highest chemical resistance requirements
- Ultra compact design due to Bürkert TwinPower actuator with 16 mm width/station
- DN 2.0 (3 bar) and DN 3.0 (2 bar)
- Integrated hit-and-hold electronics assembly
- High back-pressure tightness with excellent cleanability



Product variants described in the data sheet may differ from the product presentation and description.

Can be combined with



Type 2505 ▶
10 mm socket for
Bürkert small solenoid
valves

Type description

From the fluidics perspective, Type 6626 combines the reliable and successful rocker principle. Due to the new Bürkert TwinPower concept, this actuator enables drastic reduction of installation space while maintaining performance output. Hence, the 16 mm wide medium separated rocker valve, with 3.0 mm DN and a pressure resistance of 2 bar, provides the same performance as a traditional 22 mm valve. In addition, the integrated power reduction decreases energy consumption by 75 %. In combination with other design features, the heat transfer into the medium can be reduced to a minimum. With regard to the design, special attention has been placed on excellent cleanability and high reliability. By using high quality materials, Type 6626 is also ideal for handling aggressive medium. The valve is available as a 2/2 way and 3/2 way version.

Table of contents

1. General technical data	3
2. Product versions	4
3. Circuit functions	4
4. Materials	5
4.1. Chemical Resistance Chart – Bürkert resistApp.....	5
4.2. Material specifications	5
5. Dimensions	6
5.1. Flange version.....	6
5.2. Bürkert flange interface (16 x 46 mm).....	7
5.3. Tube connector version with flying leads.....	8
5.4. Threaded version with flying leads	9
6. Ordering information	10
6.1. Bürkert eShop – Easy ordering and quick delivery.....	10
6.2. Bürkert product filter.....	10
6.3. Ordering chart.....	10
6.4. Ordering chart accessories.....	12
Rectangular cable plug Type 2505	12

1. General technical data

Product properties	
Dimensions	Detailed information can be found in chapter "5. Dimensions" on page 6.
Material	
Seal	FFKM, FKM or EPDM
Fluid body	PEEK or PPS
Internal volume	Bürkert flange: from 550 µl Tube connector: from 1100 µl Threaded body: from 600 µl
Nominal diameter	DN 2.0 (Vac ^{1.)} ...3 bar DN 3.0 (Vac ^{1.)} ...2 bar
Switching function	Detailed information can be found in chapter "3. Circuit functions" on page 4.
Electrical data	
Operating voltage ^{2.)}	12 V DC, 24 V DC
Voltage tolerance ^{3.)}	12 V DC + 10 % / - 5 % 24 V DC ± 10 %
Switching frequency ^{4.)}	Max. 2 Hz
Nominal power	13.6 W inrush power 3.4 W nominal holding power (internal power reduction)
Performance data	
Duty cycle	100 % continuous rating
Switching times ^{5.)}	Opening: ca. 10 ms (pressure rise 0...10 %) Closing: ca. 15 ms (pressure drop 100...90 %)
Medium data	
Operating medium	Resistant to neutral and aggressive liquids and gases, see chapter "4.1. Chemical Resistance Chart – Bürkert resistApp" on page 5
Medium temperature	FFKM: + 15 °C...+50 °C FKM: - 10 °C...+50 °C EPDM: - 10 °C...+50 °C (for orifice DN 2.0) + 5 °C...+50 °C (for orifice DN 3.0)
Process/Port connection & communication	
Port connection	Bürkert Flange (16 x 46 mm) Tube connection UNF 5/16"...24 G 1/8"
Electrical connection	PFA single leads, 0.5 mm ² , AWG 20, length 300 mm Rectangular plug Type 2505 ▶
Environment and installation	
Installation position	As required, preferably with actuator upright
Degree of protection	IP40 with flying leads IP30 with rectangular plug Type 2505 ▶
Ambient temperature	FFKM: + 15 °C...+55 °C FKM: - 10 °C...+55 °C EPDM: - 10 °C...+55 °C (for orifice DN 2.0) + 5 °C...+55 °C (for orifice DN 3.0)
Minimum bending radius for flying leads version	Single bending: 8 mm Multiple bending: 13 mm

1.) Technical vacuum (-0.8 bar) at NC or NO; connection at valve output (COM/OUT) only after consultation.

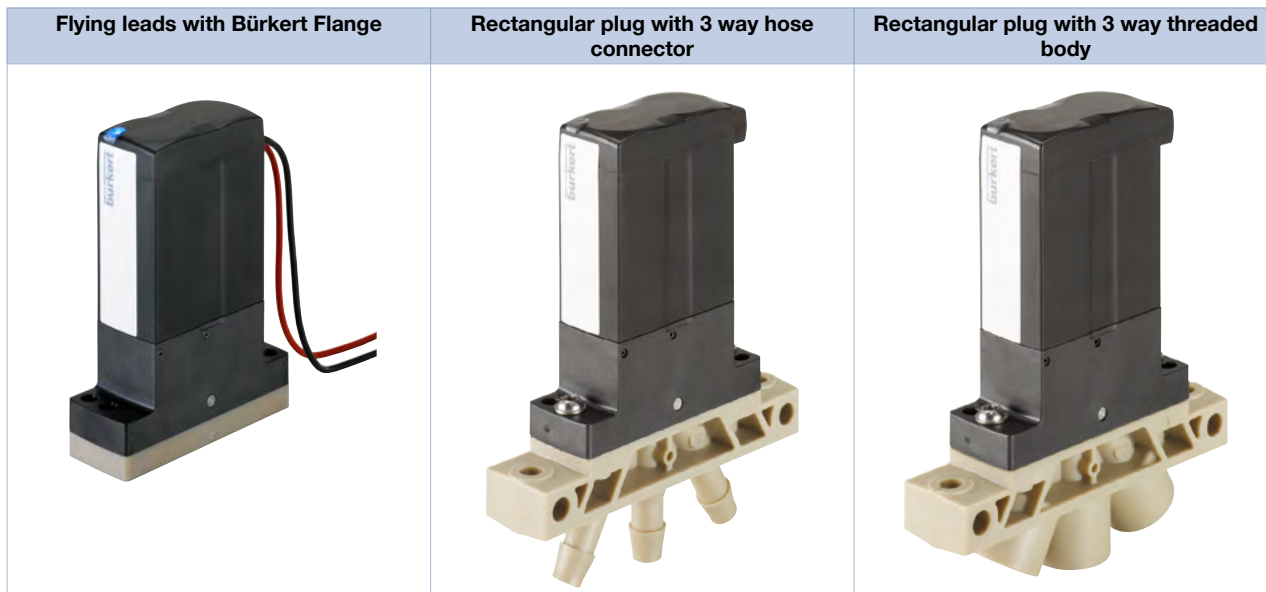
2.) Battery voltage, observe polarity (Flying leads version: red = +, black = -)

3.) Max. allowed ripple

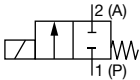
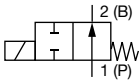
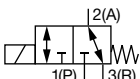
4.) With ambient temperature of 20 °C

5.) Measurement at the valve outlet at 2 bar and 20 °C according to DIN ISO 12238:2001

2. Product versions

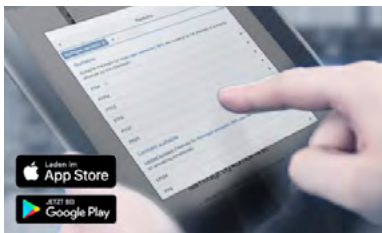


3. Circuit functions

Circuit functions	Description
	<p>Type: A, solenoid valve 2/2 way Direct-acting Normally closed</p>
	<p>Type: B, solenoid valve 2/2 way Direct-acting Normally open</p>
	<p>Type: T, solenoid valve 3/2 way Direct-acting Flow direction optional Normally closed</p>

4. Materials

4.1. Chemical Resistance Chart – Bürkert resistApp

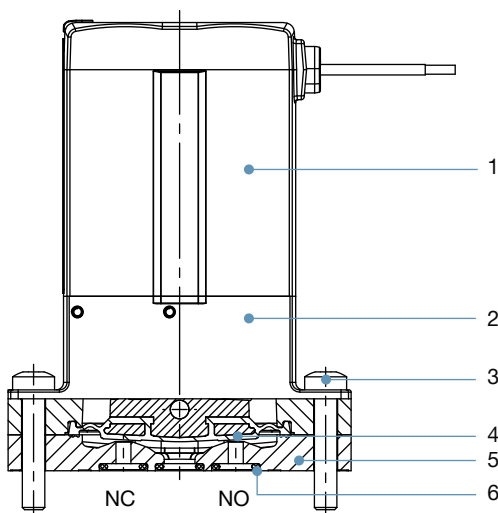


Bürkert resistApp – Chemical Resistance Chart

You want to ensure the reliability and durability of the materials in your individual application case? Verify your combination of media and materials on our website or in our resistApp.

[Start Chemical Resistance Check](#)

4.2. Material specifications



No.	Element	Material
1	Coil	Epoxy
2	Valve body	PPS
3	Mounting screw M3	Stainless steel
4	Diaphragm (in contact with medium)	FFKM, FKM or EPDM
5	Fluid body (in contact with media)	PEEK or PPS
6	Flange seal (in contact with medium)	FFKM, FKM or EPDM

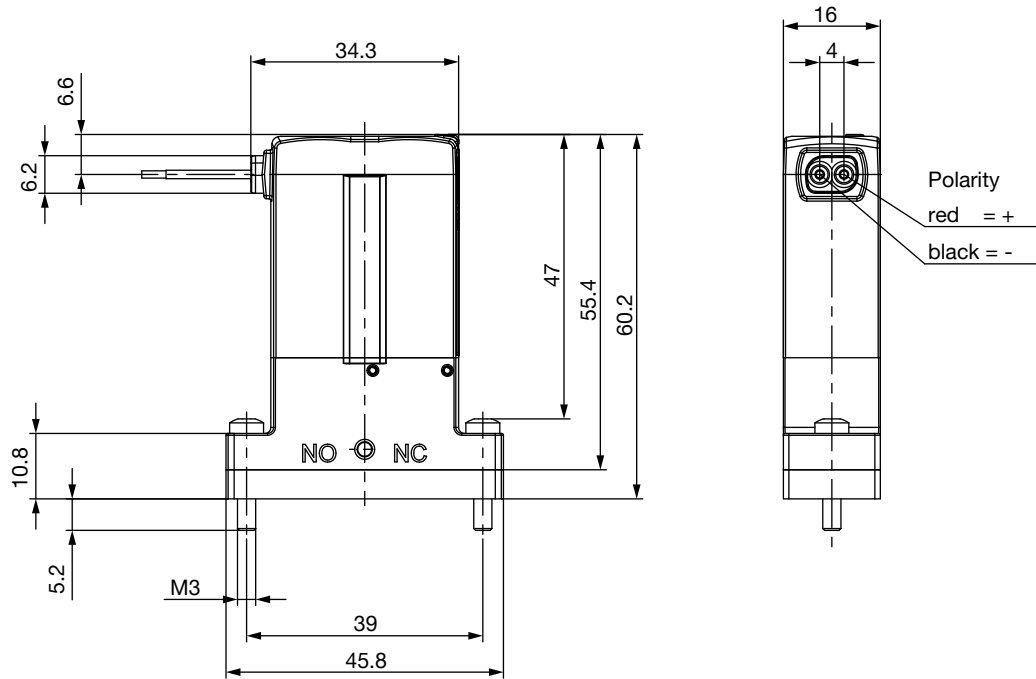
5. Dimensions

5.1. Flange version

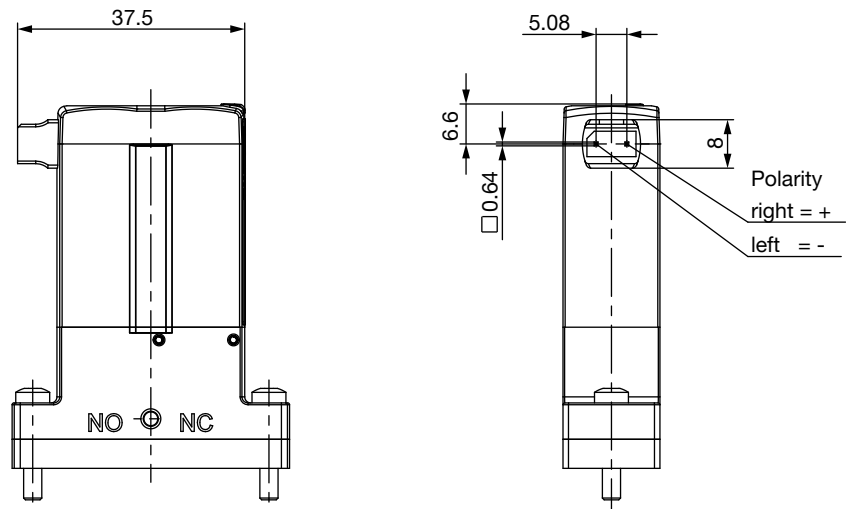
Note:

- Observe polarity!
- Dimensions in mm

Electrical connection: flying leads



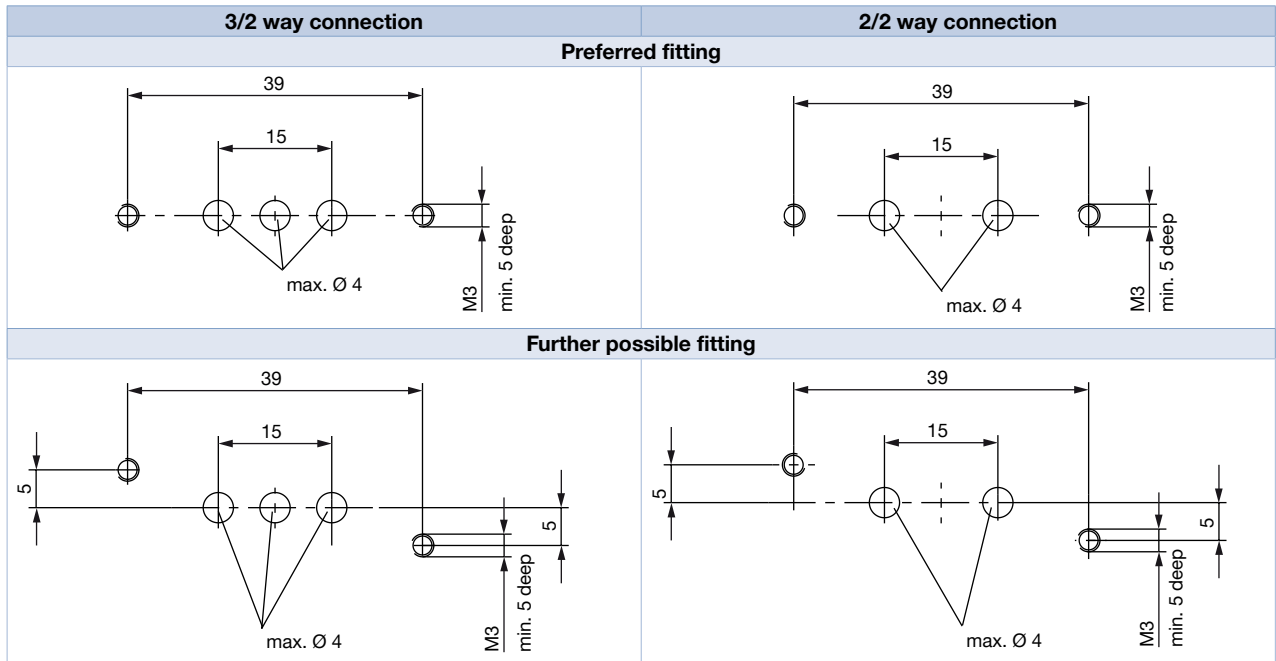
Electrical connection: Rectangular plug (Type 2505)



5.2. Bürkert flange interface (16 x 46 mm)

Note:

Dimensions in mm

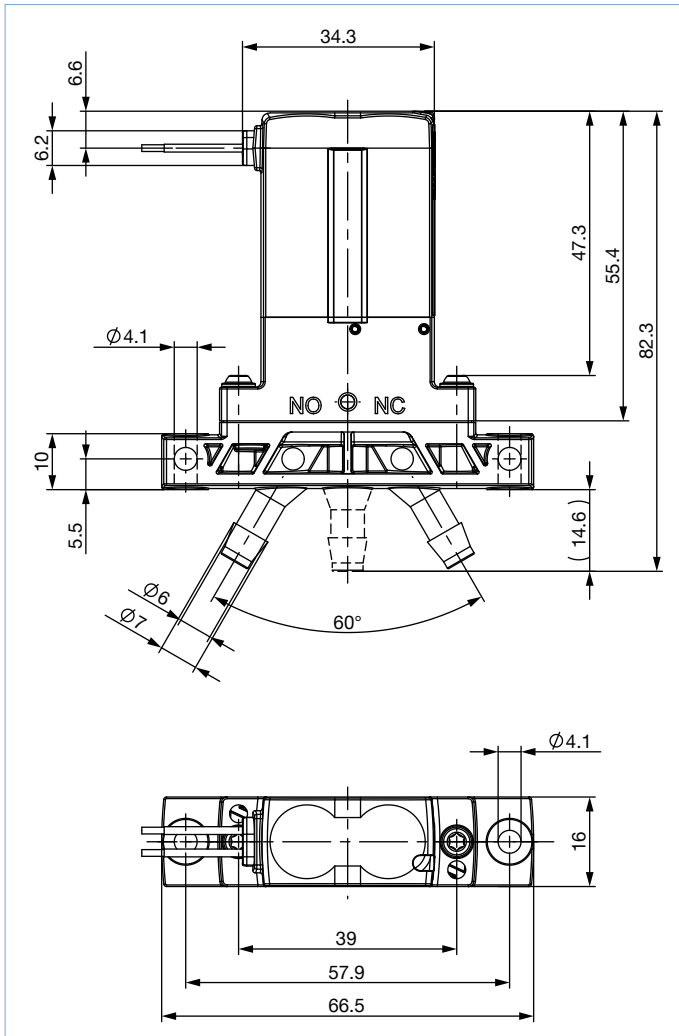


DTS 1000169436 EN Version: F Status: RL (released | freigegeben | validé) printed: 27.10.2020

5.3. Tube connector version with flying leads

Note:

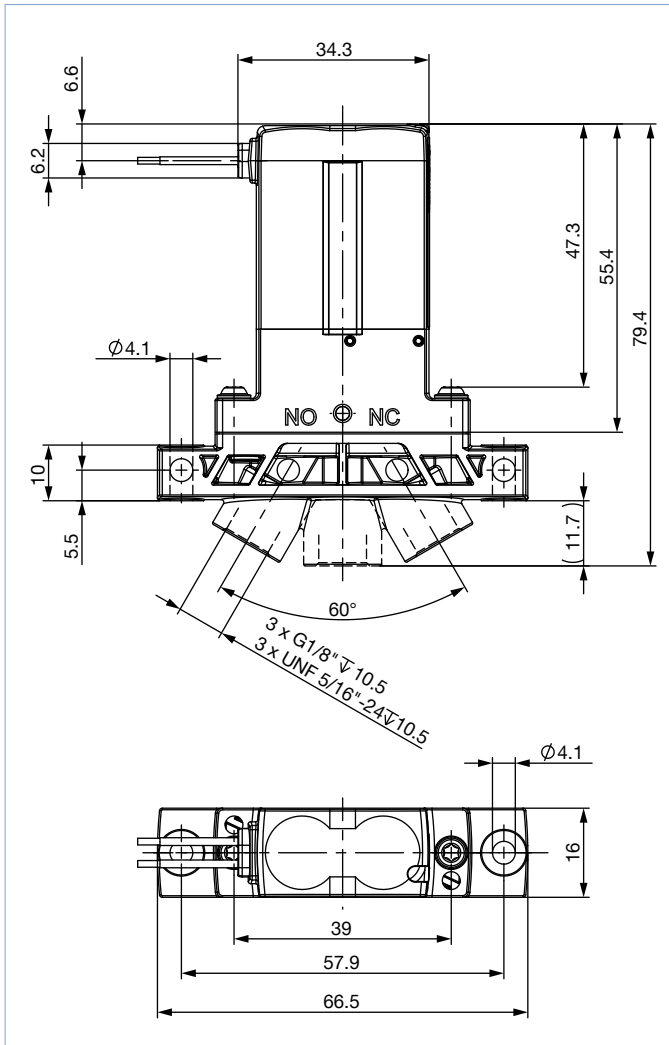
Dimensions in mm



5.4. Threaded version with flying leads


Note:

Dimensions in mm



6. Ordering information

6.1. Bürkert eShop – Easy ordering and quick delivery

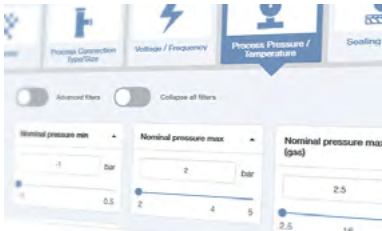


Bürkert eShop – Easy ordering and fast delivery

You want to find your desired Bürkert product or spare part quickly and order directly? Our online shop is available for you 24/7. Sign up and enjoy all the benefits.

[Order online now](#)

6.2. Bürkert product filter



Bürkert product filter – Get quickly to the right product

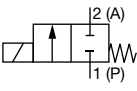
You want to select products comfortably based on your technical requirements? Use the Bürkert product filter and find suitable articles for your application quickly and easily.

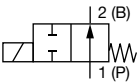
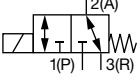
[Try out our product filter](#)

6.3. Ordering chart

Note:

- Other versions on request
- 2 x fixing screws M3 x 16 for flange versions are included in the delivery.
- Connectors for rectangular plugs are not included in the delivery and must be ordered separately, see “6.4. Ordering chart accessories” on page 12

Circuit functions	Orifice	Port connection	K _v value water ¹⁾	Pressure range ²⁾	Max. pressure difference ²⁾	Seal material	Fluid body material	Electrical connection	Voltage/Frequency	Article no.
	[mm]			[bar]	[bar]				[V/Hz]	
A, solenoid valve 2/2 way Direct-acting Normally closed 	2.0	Bürkert flange	0.10	Vac...3	3	EPDM	PPS	Rectangular plug	12/DC	247769
				(Vac...5)	(5)				24/DC	247771
				Vac...3	3	FFKM	PEEK	Flying leads 0.3 m	12/DC	247775
				(Vac...4)	(4)				24/DC	247786
				Vac...3	3	FFKM	PEEK	Rectangular plug		251709
				(Vac...4)	(4)				252770	
	Vac...3	3	FFKM	PEEK	Flying leads 0.3 m		234278			
	(Vac...4)	(4)								
	3.0	Bürkert flange	0.19	Vac...2	2	EPDM	PPS	Rectangular plug	24/DC	247797
									FFKM	PEEK
						FFKM	PPS	12/DC	247816	
									Flying leads 0.3 m	24/DC
FFKM						PEEK	Rectangular plug	251711		
								252771		
EPDM	FFKM	247789								
			Flying leads 0.3 m	228642						
FFKM	Rectangular plug		247810							

Circuit functions	Orifice	Port connection	K _v value water ^{1.)}	Pressure range ^{2.)}	Max. pressure difference ^{2.)}	Seal material	Fluid body material	Electrical connection	Voltage/Frequency	Article no.			
	[mm]		[m ³ /h]	[bar]	[bar]				[V/Hz]				
B, solenoid valve 2/2 way Direct-acting Normally open 	2.0	Bürkert flange	0.10	Vac...3	3	FFKM	PEEK	Flying leads 0.3 m	24/DC	252773 ☒			
	3.0	Bürkert flange	0.19	Vac...2	2	FFKM	PEEK	Flying leads 0.3 m Rectangular plug	24/DC	242597 ☒ 245910 ☒			
T, solenoid valve^{3.)} 3/2 way Direct-acting Flow direction optional Normally closed 	2.0	Bürkert flange	0.10	Vac...3 (Vac...5)	3 (5)	EPDM	PPS	Rectangular plug	24/DC	247826 ☒			
				Vac...3	3	FFKM	PEEK	Flying leads 0.3 m	12/DC	247829 ☒			
				Vac...3 (Vac...4)	3 (4)	FKM	PPS	Rectangular plug	24/DC	247841 ☒			
				Vac...3	3	FFKM	PEEK	Flying leads 0.3 m	12/DC	247838 ☒			
				Vac...3 (Vac...4)	3 (4)	FFKM	PEEK	Rectangular plug	24/DC	251713 ☒			
				Vac...3 (Vac...4)	3 (4)	FKM	PEEK	Rectangular plug	24/DC	252774 ☒ 252775 ☒			
	3.0	Bürkert flange	0.19	Vac...2	2	EPDM	PPS	Rectangular plug	12/DC	247851 ☒			
								FFKM	PEEK	Flying leads 0.3 m	24/DC	247853 ☒	
										Rectangular plug	238531 ☒		
								FKM	PPS	Flying leads 0.3 m	12/DC	247874 ☒	
										Rectangular plug	247877 ☒		
								UNF 5/16" ...24	0.15	EPDM	PEEK	Rectangular plug	252776 ☒
												Flying leads 0.3 m	251715 ☒
												Rectangular plug	247872 ☒
Rectangular plug	247844 ☒												
G 1/8"	0.19	FKM	EPDM	FFKM	Flying leads 0.3 m	247859 ☒							
					Rectangular plug	247858 ☒							
Tube connector	0.19	FKM	EPDM	FFKM	Flying leads 0.3 m	247869 ☒							
					Rectangular plug	247869 ☒							

1.) Flow rate value for water, measured at +20 °C, 1 bar to atmospheric pressure at the valve inlet and free outlet

2.) Values in brackets are only valid for gaseous media









3.) Technical vacuum (-0.8 bar) at NC or NO; connection at valve output (COM/OUT) only after consultation

6.4. Ordering chart accessories

Rectangular cable plug Type 2505

Note:

For further versions see data sheet [Type 2505 ▶](#).

Accessories	Description	Article no.
	Rectangular cable plug Type 2505 with 3 m cable	252572 
	Rectangular cable plug Type 2505 with 5 m cable	255194 
	Rectangular cable plug Type 2505 with 300 mm flying leads	644068 
	Rectangular cable plug Type 2505 with 600 mm flying leads	162144 
	Rectangular plug, single contacts for individual mounting	644067 

Bürkert – Close to You

For up-to-date addresses
please visit us at
www.burkert.com

DTS 1000169436 EN Version: F Status: RL (released | freigegeben | validé) printed: 27.10.2020

